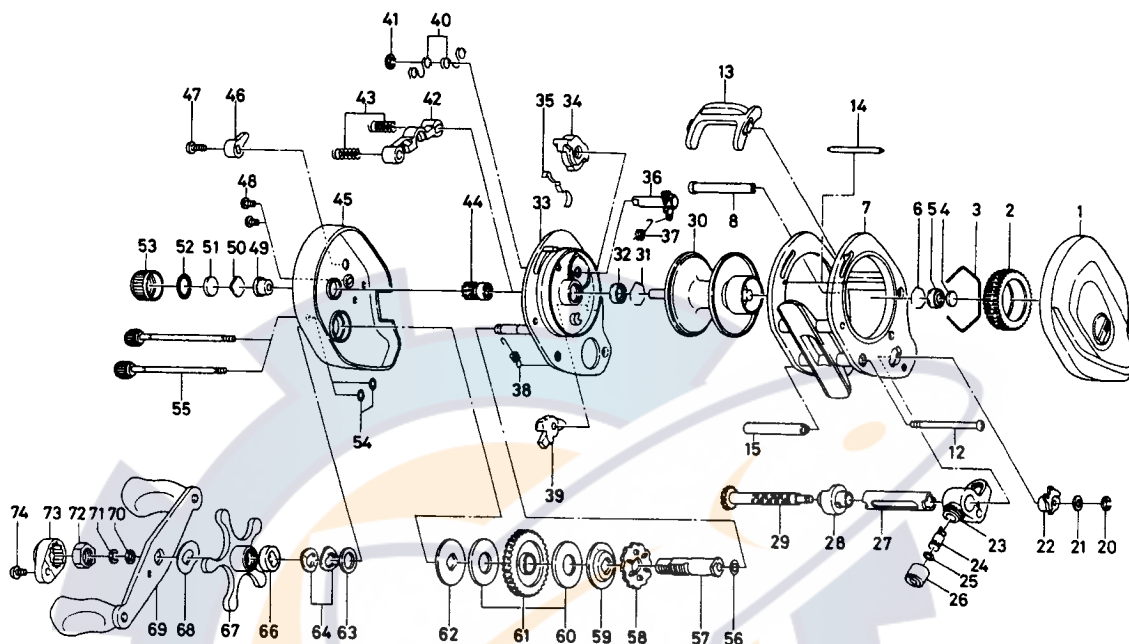


BAITCASTING REEL PMA35SL-A



Key No.	Parts No.	Parts Name	Key No.	Parts No.	Parts Name
1	B90-7201	Right side plate	41	320-1402	Clutch retaining ring
2	B66-1202	Magnet holder	42	B90-6601	Yoke
3	B54-3201	Magnet holder ret. ring	43	144-7101	Yoke spring
4	375-7400	Spacer	44	B90-6701	Pinion gear
5	B55-0301	Bushing	45	B90-5904	Left side plate
6	B42-1601	Bearing retainer	46	B85-9501	Click button
7	B82-6201	Frame assembly	47	351-1801	Click button screw
8	B85-9603	Frame post A	48	B36-0401	Set plate screw
12	B86-0101	Frame post screw	49	B64-3101	Bushing
13	B85-2303	Clutch lever	50	B17-5401	Spool adjusting cap metal
14	B93-9101	Frame post B	51	B17-5501	Spacer
15	B86-0001	Stabilizer bar	52	171-5201	"O" ring A
20	320-5901	Worm shaft retainer	53	B85-3401	Cast control cap
21	373-1302	Worm shaft holder washer	54	B85-3101	"O" ring B
22	B94-3701	Worm shaft holder	55	B91-1702	Left side plate screw
23	B57-8701	Line guide pawl holder	56	373-7611	Drive shaft washer A
24	B91-2601	Line guide pawl	57	B86-5001	Drive shaft
25	375-4100	Line guide washer	58	B90-7001	Anti-reverse ratchet
26	342-4801	Pawl cap	59	B85-4801	Drive shaft washer B
27	B85-9701	Level wind guard	60	B36-0203	Drag washer A
28	B92-9502	Worm bearing	61	B90-7101	Drive gear
29	B92-9601	Worm shaft	62	B36-0301	Key washer
30	B90-8801	Spool assembly	63	373-7800	Drag washer B
31	B42-1601	Bearing retainer	64	150-8901	Drag spring washer
32	B55-0301	Bushing	66	634-5801	Spacing sleeve
33	E13-7901	Set plate	67	B36-0504	Star drag
34	B90-6901	Anti-reverse cam	68	150-9001	Friction washer
35	B65-0501	Anti-reverse cam spring	69	B85-5101	Handle assembly
36	B97-8401	Click claw	70	B41-1701	Drive shaft washer
37	B86-2201	Click claw spring	71	320-8202	Drive shaft retainer
38	B35-8901	Anti-reverse pawl spring	72	B86-2101	Handle nut
39	B74-0501	Anti-reverse pawl	73	B86-2301	Handle nut plate
40	B81-5503	Set plate spring	74	351-1801	Handle nut plate screw